

National's SL Series Duct Smoke Detector is the latest innovation for early detection of smoke and products of combustion present in air moving through HVAC ducts in Commercial, Industrial, and Residential applications. The unit is designed to prevent the recirculation or spread of smoke by air handling systems, fans, and blowers. Complete systems may be shut down in the event of smoke detection. It is designed and built to meet all local code requirements, as well as the NFPA and ICC standards regarding HVAC supply and return duct smoke detectors. Output terminals are provided for remote status indicators and test/reset key switches or push buttons.

The SL Series includes many features that represent true innovations from current generation duct smoke detectors. Our traditional installer/service-friendly approach has been closely followed and expanded throughout the SL Series design. Our attention to detail has yielded a host of "No-Tools Required" features to ease installation and service tasks.

Addressable detector heads are compatible with National's Digicomm™ protocol. For non-addressable applications, see the Conventions SL Series bulletin.

Benefits

Low to High Flow rating: 100-4000 ft/min

High Temperature Rating

Patent Pending "No Tools Required" front and rear sampling tube access.

Patent Pending Test Port Valve allows aerosol smoke testing without removing cover.

More wiring space than competitive models.

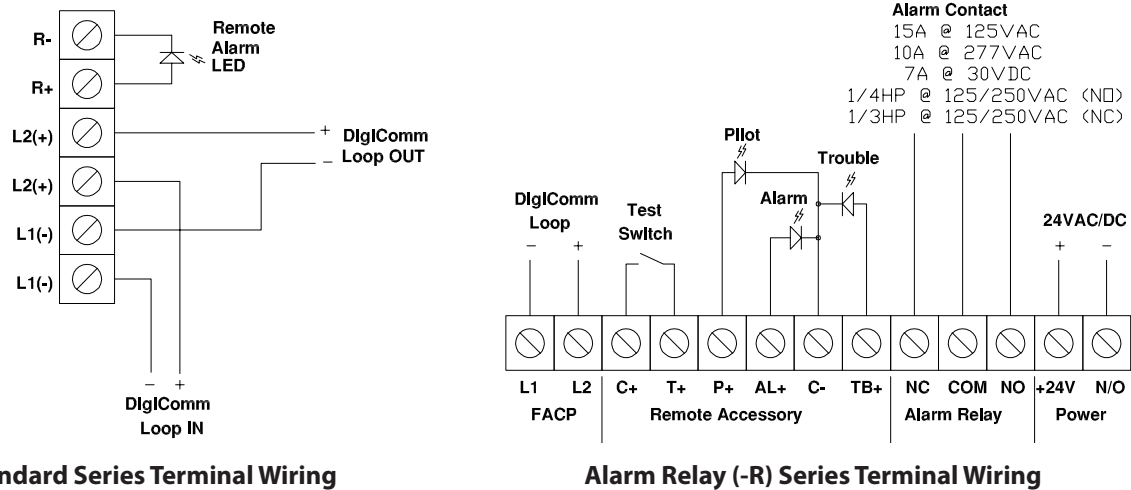
Ionization and Photoelectric models

Built-in Alarm Relay test switch

UL, cUL Listed



Wiring Diagram



Specifications

Dimensions: 13.5" L x 4.5" W x 2.25" H

Max Net Wt: 2.0 lbs.; 2.25 lbs. (-R)

Radioactive Element: Americium 241; 0.9 Micro-Curie

(ionization model only) Do not expose to corrosive atmosphere

Ambient Temp: Ionization: 32F to 150F; Photoelectric: 32F to 140F

Humidity: 10-95% RH Non-Condensing/ Non-Freezing

Air Velocity: 100 to 4000 ft/min

Wiring: Solid or Stranded, #12 to #22 AWG terminals

Power Requirements: Standby- 105mA @ 24VAC; 26mA @ 24VDC

(-R without accessories) Alarm- 195mA @ 24VAC; 54mA @ 24VDC

Relay Contact Rating: 15A @ 125VAC resistive 1/4HP @ 125/250VAC (NC) Inductive

(-R Alarm Contacts) 10A @ 277VAC resistive 1/3HP @ 125/250VAC (NO) Inductive

7A @ 30VDC resistive

Ordering Information

Part No.	Description
D900-DD-SL-PHOTO	Addressable Slim-Line Duct Detector; Photoelectric
D900-DD-SL-ION	Addressable Slim-Line Duct Detector; Ionization
D900-DD-SL-PHOTO-R	Slim-Line Duct Detector; Photoelectric; with Alarm Relay Contact
D900-DD-SL-ION-R	Slim-Line Duct Detector; Ionization; with Alarm Relay Contact
D900-TUBE-SL-1	Slim-Line Duct Detector Sampling Tube for 12" or less duct width
D900-TUBE-SL-2.5	Slim-Line Duct Detector Sampling Tube for 6" to 2.5' duct width
D900-TUBE-SL-5	Slim-Line Duct Detector Sampling Tube for 2.5' to 5.0' duct width
D900-TUBE-SL-10	Slim-Line Duct Detector Sampling Tube for 5' to 10' duct width
D900-DD-RMT LED	Remote Alarm LED - Stainless Steel Single Gang Plate
D900-DD-RMT TEST	Remote Test Station - Key Switch and LED on Stainless Steel Plate



D900-DD-RMT LED



D900-DD-RMT TEST